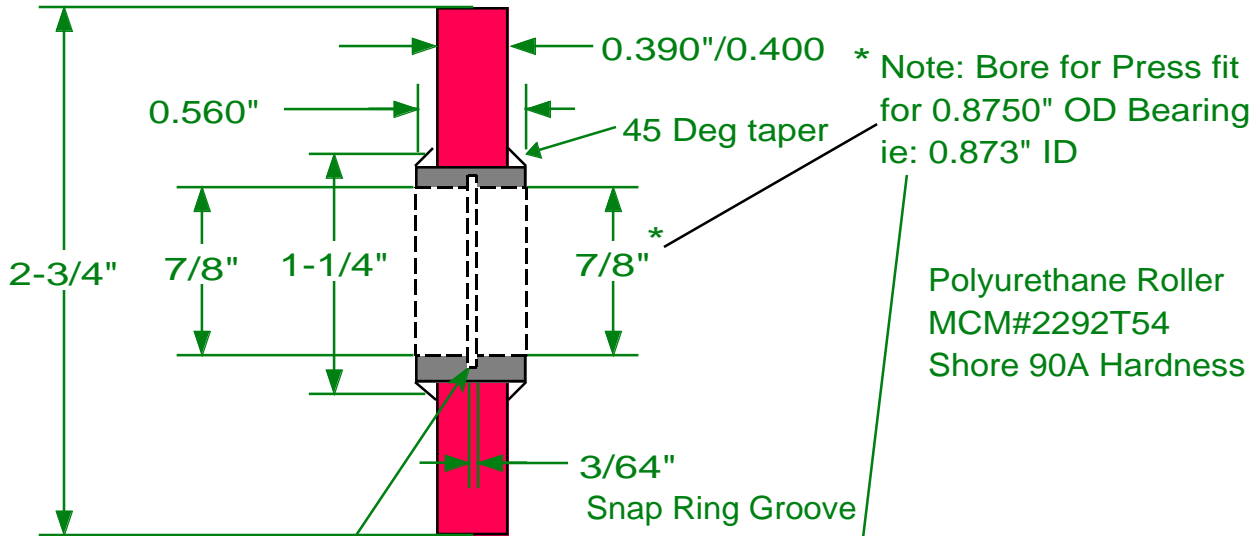


Bearing
MRC# R6ZZ
or
GBC R6Z
2 per Wheel

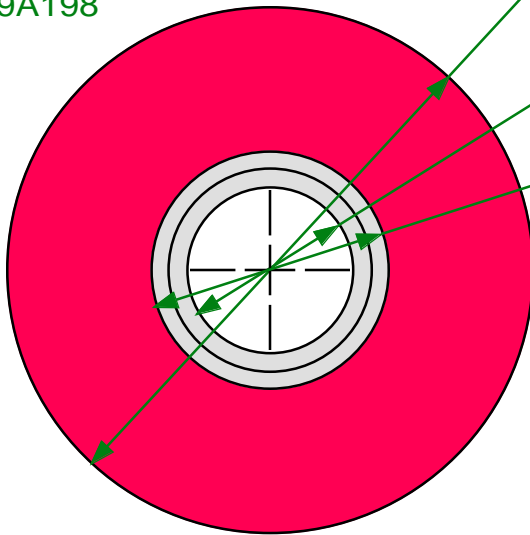


Steel Shim
or Rim Washer
9/16" OD x 3/8" ID
x 0.062" Thk
MCM#3088A466



Internal Snap Ring Groove:
0.931" OD x 0.046"

Snap Ring: Nominal 7/8" x 0.046"
MCM#98409A198



Pelletron 2-3/4" Idler
Material: Polyethylene/Nylon
Scale: Full
Dwn By: CRW
Date: 03/01/00
Rev: 12/4/2000